

Hello

User Manual

for Depstech® DS500 Industrial Endoscope

Deepsea Innovation Co.,Ltd.

Room 1901-1902, Jinqizhigu Building, No.1 Tangling Road, Nanshan District, Shenzhen, 518055, CN

Web: www.depstech.com **E-mail:** support@depstech.com

Thanks for choosing Depstech® DS500 Industrial Endoscope!

Depstech® DS500 equipped with 5" 720P HD IPS Screen Display/ FHD Camera, which was invented to help car maintenances or pipeline repairing. We hope that you can use this efficiency tool to save some teatime yourself, as well as helping you discover some joyful tiny-world around!

In purpose of reducing greenhouse effect as well as protecting forest, we would recommend

Downloading The **Multi-Language E-User Manual** of your endoscope by log in our official website: www.depstech.com

You can find the **Navigation on the Top - Click into Endoscope – Click into Video Endoscope - Roll and choose Model Number: DS500 – Click Download Button** for the **E-User Manual**

Any suggestions or customer service needs are warmly welcomed by us. You can feel free contacting us via

Email: support@depstech.com

Facebook Official Page: [@DEPSTECH. FANS](https://www.facebook.com/DEPSTECH.FANS)

Please remember to provide your **Product Model No.**

And Order ID to us!

Thanks for your support again!

Quick Overview of Your New Endoscope!

1 Power Button

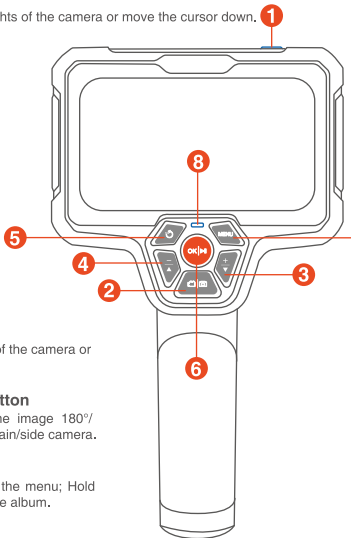
Hold this button for 3s to power on/ off the endoscope.

2 Photo Shoot/ Video Record Button

Hold this button to start video record, single press to take a photo/ end the video record.

3 “ $\frac{+}{\downarrow}$ ” Button

Click to brighten the LED lights of the camera or move the cursor down. 1



4 “ $\frac{-}{\uparrow}$ ” Button

Click to dim the LED lights of the camera or move the cursor up.

5 180° Image Rotate Button

Click to rotate the real-time image 180°/
Hold this button to switch main/side camera.

6 OK/ Play Button

Click to confirm choices in the menu; Hold this button to enter/ close the album.

7 Menu Button

Click to enter the menu for more settings.

8 Working Status LED indicator & Charging Status LED indicator

9 Aluminum Alloy Interface

Connect the snake cable camera probe with this interface.

10 TF Card Slot

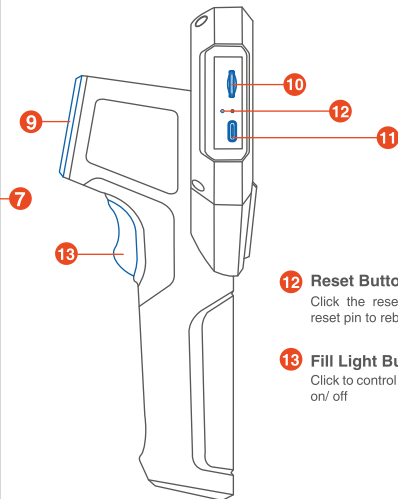
Support up to 32G TF card.

(Enclosed with the package, please format it at the first time of usage)

11 Type-C Charging Port

Charge the endoscope via USB-A to Type-C cable.

(Enclosed in the package)



12 Reset Button

Click the reset button for 5s with the reset pin to reboot the endoscope.

13 Fill Light Button

Click to control the external LED fill lights on/ off

*The package enclosed with 32G TF Card/ Reset pin/ Type-C Data&Charging Cable/ 3*Efficiency tools like magnet, hook and side mirror (Mirror for single camera version only) /Toolbox

FAQ

Q1: Can I connect the computer with the endoscope for files checking purpose?

A1: Definitely yes, but you've to insert the TF card into the TF card slot first. After finishing the connection between the endoscope and your PC/ Laptop (Via the USB-A to Type-C cable which was enclosed in the package), wait for few second and the device will get into "Card Reader Mode" automatically. You can check the files in your PC/ Laptop once you've entered this mode.

Q2: Can it be used for inspection when charging? Will it work normally?

A2: Yes, it can be used. But be aware do not frequently used it in such situation, which may do damage to battery lifespan. Besides, if there is no operation happened per 15s during the charging process, the screen backlight and the button light will turn off and get into "Power Saving Mode", but you can wake up the backlight simply by pressing any button.

Note: 1). The endoscope will be activated once the connection to the power adapter finished, to fasten the charging process, please wait till the endoscope get into "Power Saving Mode" and leave it alone.

2). You couldn't shut down the endoscope by holding the power button if you're using it for inspection during charging process.

Q3: I can't get the image of the camera, or it keeps showing no signal on the screen.

A3: Please make sure the camera probe was connected correctly to the 5" screen display before open it. Plus, if the camera part fell apart from the display accidentally, you can try to reconnect it and wait for a few seconds. If it's still showing no signal, you can shut down the device and opened it again. Or turn to reset function for the fastest response.

Specifications of DS500

Model	DS500 QHD	DS500 Dual Camera
Screen Spec	5" 720P IPS Screen with 178° view of angle	
Battery Life	6-7H	
Waterproof	IP67 Rating for the Probe	
Camera Diameter	0.31 in	0.31in/0.35in
LED	6 x LED	7x LED
Best Focal Range	2.75-15.7in	Main cam: 1.2-3.9 in Side cam: 4/5~2.4 in
Max Pixel	5MP/8MP	Dual 2MP/ 5MP+1MP
Cable Length	16.5 ft	
Charging Voltage and current	DC 5V/2A (Please note that the endoscope can only charged by USB A TO C cable)	
Working Range	0.22-17.71 ft	0.16-16.73 ft
LED Indicator Status	Blue LED Indicator flash: Low battery status Blue LED Indicator on: Working status Red LED indicator flash: Charging status Red LED Indicator on: Charging finished	

Notifications

- a. **Battery:** Please do not try to change the built-in battery yourself, it may raise the risks of leading the battery overheat or get people harmed. For better battery life spans, we would recommend you charge the device every 3-6 month. (No matter uses it or not)
- b. **Operation and storage conditions:** Please keep the tools out of fire source, especially **keep it away from temperature higher than 158°F (70°C) - or lower than -50°F (-10°C)**. Be cautious the required working temperature should between 32-113°F (0-45 °C). Please keep it in dry, clean area, free from oil, water, or chemical liquid. Those measures will help the device maintain longer lifes pans, also it will do great help to keep the dangerous situation far away.
- c. The Child can only operate this device **with the guidance of adults**, please do not let them operate this device alone.
- d. **FCC statement:** This device complies with Part 15 of the FCC rules. Operation is subject to the following two conditions:
 - 1)This device may not cause harmful interface;
 - 2)This device must accept any interference received, including interference that may cause undesired operation.
- e. **CE compliance:** This device complies with EN 60065 standard, which means this device will not do harm to the user or products as following situations:
 - 1)Electric shock 2) High temperature 3) Radiation 4) Explosion from inner 5) Mechanical Harm 6) Fire Hazard 7) Chemical burns.

- f. **EU Conformity Statement:** This product and - if applicable - the supplied accessories too are marked with "CE" and comply therefore with the applicable harmonized European standards listed under the EMC Directive 2004/108/EC, the RoHS Directive 2011/65/EU and Amendment (EU)2015/863.
- g. **WEEE Notice:** 2012/19/EU (WEEE directive): Products marked with this symbol cannot be disposed of as unsorted municipal waste in the European Union. For proper recycling, return this product to your local supplier upon the purchase of equivalent new equipment, or dispose of it at designated collection points. For more information see: www.recyclethis.info
- h. **2013/56/EU (battery directive):** This product contains a battery that cannot be disposed of as unsorted municipal waste in the European Union. See the product documentation for specific battery information. The battery is marked with this symbol, which may include lettering to indicate cadmium (Cd), lead (Pb), or mercury (Hg). For proper recycling, return the battery to your supplier or to a designated collection point. For more information see: www.recyclethis.info



- i. **ROHS compliance:** This product is in compliance with Directive 2011/65/EU of the European Parliament and of the Council of 8 June 2011 on the restriction of the use of certain hazardous substances in electrical and electronic equipment.

EC REP 1:	EC REP 2:
Like Sun GmbH	DST Co., Ltd.
Planckstr.59 ,45147 Essen, Germany	Fifth Floor 3 Gower Street, London, WC1E 6HA, UK
ec-connection@web.de	www.dsteu.com

